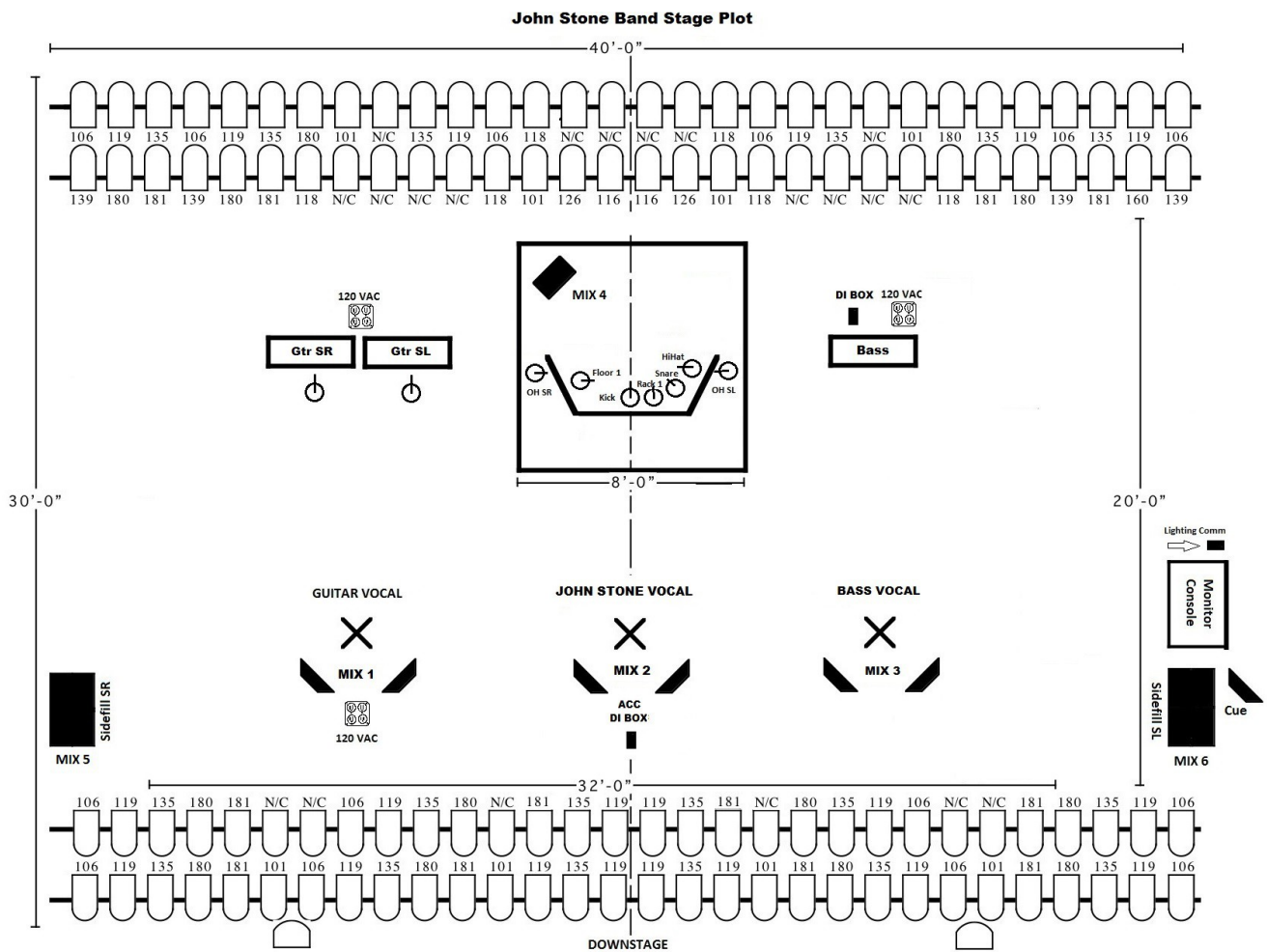


John Stone & The Trailerpark Allstars Band Input List 2019-2020

INPUT LIST

Note – Engineers carry digital console show data - No festival patches allowed

<u>FOH / MON #</u>	<u>SUB #</u>	<u>INSTRUMENT</u>	<u>MIC / DI</u>	<u>INSERTS (Analog)</u>	<u>NOTES / INFO</u>
#1	#	Kick	Mic	Gate	
#2	#	Snare	Mic	Gate	
#3	#	Hi Hat	Mic		
#4	#	Rack Tom #1	Mic	Gate	
#5	#	Floor Tom #1	Mic	Gate	
#6	#	Overhead SR	Mic		
#7	#	Overhead SL	Mic		
#8	#	Bass	DI	Comp	
#9	#	Guitar SR	Mic		
#10	#	Guitar SL	Mic		
#11	#	Acoustic DI	DI		Origin: DSC
#12	#	Guitar Vocal	Mic		Origin: DSR
#13	#	John Stone Vocal	Mic	Comp	Origin: DSC/Wireless
#14	#	Bass Vocal	Mic		Origin: DSL



Production Management:
 Tour Support Services c/o Chris Bray
 (615) 969-1733 cell
 email: chrisbray@tourssupportservices.com

**John Stone & The Trailerpark Allstars
Band Input List 2019-2020**

**Production Management:
Tour Support Services c/o Chris Bray
(615) 969-1733 cell
email: chrisbray@toursupportservices.com**